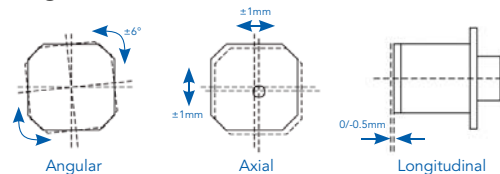




## Sealed Rack & Panel for Blind Connection

A quick connection in hard-to-reach areas.

- Blind connection** ■ Easy and fast connection without any coupling / uncoupling between a float-mounting unit and a fixed unit.
- 100% Scoop proof connector** ■ Female crimp contacts.  
**Float-mounting unit: rack** ■ Mounting on the cabinet side.  
Angular orientation with a key.  
Possibility to supply rear accessories.  
Misalignment:



- Fixed unit: equipment** ■ Male contacts-crimp or straight spill.  
Used on the equipment side.  
Angular orientation through a key.  
Interconnection with standard plug.  
Rear accessories available to be assembled.

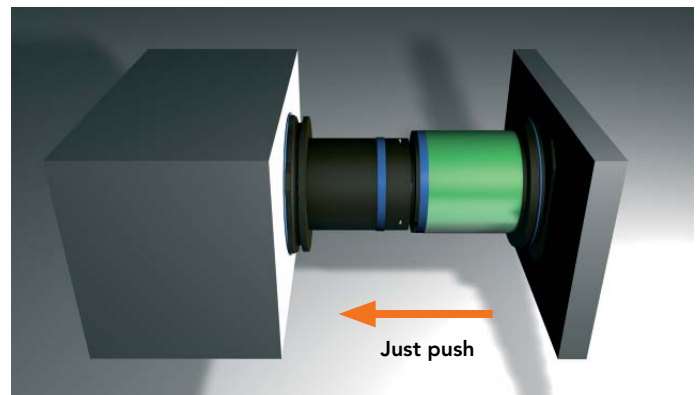
## Rack and Panel

- Signal and Power connector
- Easy and fast connection without any coupling/uncoupling between a float-mounting unit and a fixed unit.
- 100% scoop proof
- Plug misalignment allowed
- Rear accessories available
- 8 shell sizes available: from 11 to 23 with DTAT-C5935-X0005 layout - including power contact cavities
- Sealing as per HE 308
- EMI performances as per DTAT-C5935-X0005



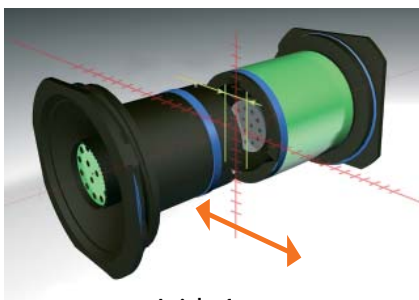
Shell Size	Mated Force (daN)	Unmated Force (daN)
11	20	12
13	30	13
15	35	15
17	50	16
19	55	18
21	65	22
23	80	27
25	-	-

### Blind mateable connector

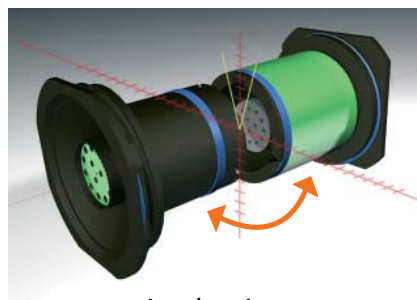


Just push to connect... and release to disconnect

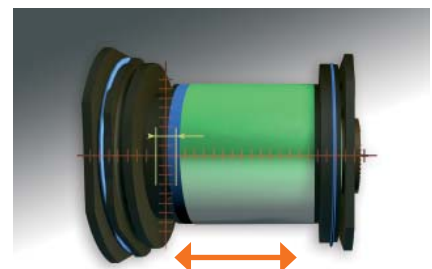
### Superior misalignment allowances



Axial  $\pm 1\text{mm}$



Angular  $\pm 1\text{mm}$



Longitudinal 0/-0.5mm

## Ordering information

### SOURIAU Rack and Panel connectors part numbers

<b>Basic series</b>	8LT	27	-	15	B	35	P	N			L	
<b>Shell type</b>												
27:	Receptacle for rack, possibility to mount rear accessory											
23:	Square flange receptacle (consult us)											
26:	Floating plug for rack, possibility to mount rear accessory											
<b>Type</b>												
-:	Connector with standard crimp contacts											
Q:	Connector with quadrax crimp contacts											
C:	Connector with short PC tail (male and female #20, #16, #12, #8 quadrax)											
S:	Connector with specific PC tail (male and female #22D only)											
L:	Connector with long PC tail (male and female #22D)											
<b>Shell size:</b>	11, 13, 15, 17, 19, 21, 23, 25											
<b>Plating</b>												
Z:	Black zinc nickel			F:	Nickel			B:	Olive green cadmium			
<b>Contact layout:</b>	See «8LT Series, MIL-DTL-38999 Series I» catalog											
<b>Contact type</b>												
P:	Male					S:	Female					
<b>Orientation:</b>	N											
<b>Specification</b>												
None:	Supplied with contacts											
251:	Connector provided with power contacts (for layout with cavities #8)											
*284:	Quadrax grounded (cts 100Ω)											
308:	Quadrax not grounded (cts 100Ω)											
*384:	Quadrax grounded (cts 150Ω)											
408:	Quadrax not grounded (cts 150Ω)											
<b>Special custom</b>												
None:	Standard plastic cap					M:	Antistatic plastic cap					
L:	Connector supplied without contacts											

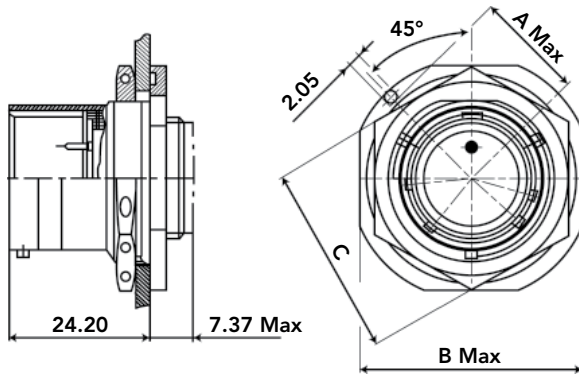
\*Excepted mixed layouts with quadrax and signal contacts. Please consult us.

### HE 308 Rack and Panel connectors part numbers

<b>Basic series</b>	HE308	26	T	23	01	P	N	7	M		
<b>Shell type</b>											
26:	Floating plug for rack, crimp female contacts, possibility to mount rear accessory										
27:	Receptacle for rack, male contacts, possibility to mount rear accessory										
21:	Receptacle for rack with PC Tail contacts										
<b>Class</b>											
T:	Sealed										
<b>Shell size:</b>	11, 13, 15, 17, 19, 21, 23										
<b>Contact layout:</b>	See «8LT Series, MIL-DTL-38999 Series I» catalog										
<b>Contact type</b>											
P:	Male					S:	Female				
<b>Orientation:</b>	N										
<b>Plating</b>											
7:	Olive green cadmium										
<b>Contractual specifications</b>											
M:	DAT quality insurance										
<b>Special custom</b>											
None:	Standard plastic cap					M:	Antistatic plastic cap				
<b>Specifications</b>											
None:	Connector supplied with contact					L:	Connector supplied without contact				

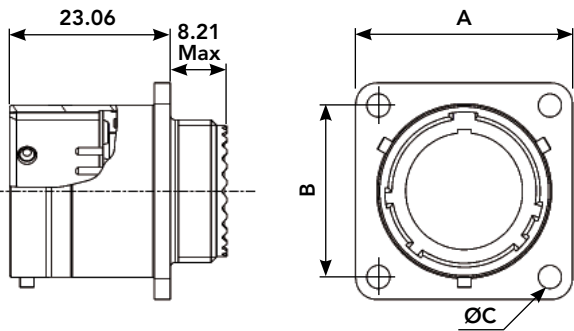
## Dimensions

### Equipment receptacle (type 27)



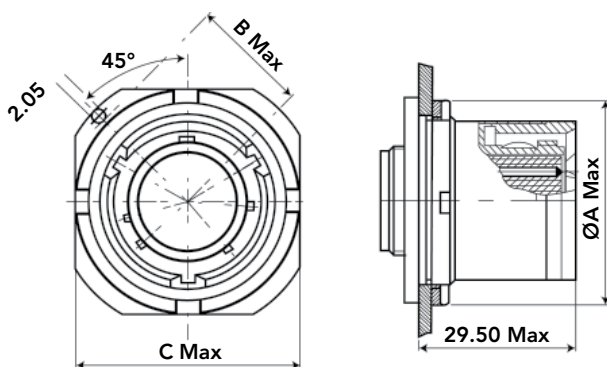
Shells	11	13	15	17	19	21	23	25
A Max	15.33	16.92	18.51	20.1	22.67	24.26	25.84	27.43
B Max	32.16	35.34	38.51	41.69	46.43	49.64	52.78	56
C	25.55	30.3	33.45	36.65	39.8	43	46.15	50.95

### Square flange receptacle (type 23)



Shells	09	11	13	15	17	19	21	23	25
A Min	23.7	26.05	28.5	30.85	33.2	36.4	39.55	42.75	46
A Max	24.3	26.7	29.05	31.45	33.8	37	40.15	43.35	46.5
B	18.26	20.62	23.01	24.61	26.97	29.36	31.75	34.93	38.1
ØC Min								3.73	
ØC Max								3.83	

### Rack plug (type 26)

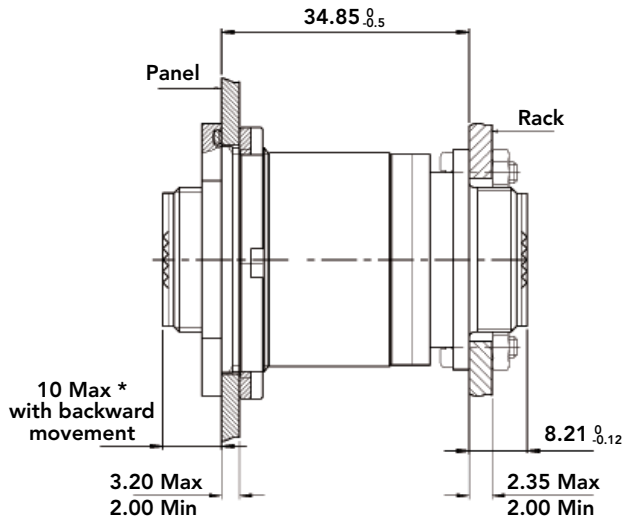


Shells	11	13	15	17	19	21	23	25
A Max	32.1	35.25	38.4	41.6	46.3	49.6	52.7	55.9
B Max	16.92	18.51	20.1	22.67	24.26	25.84	27.43	29.03
C Max	32.16	35.34	38.51	41.69	46.43	49.64	52.78	55.96

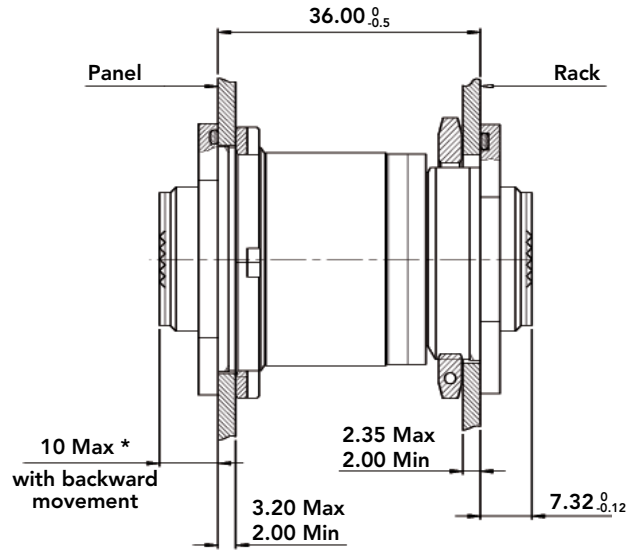
Note: All dimensions are in millimeters (mm)

### Mated connectors

Plug type 26 & Receptacle type 23

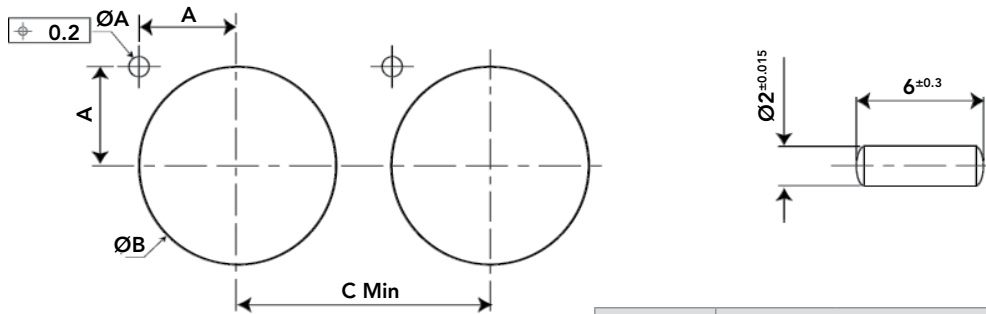


Plug type 26 & Receptacle type 27



\*Included longitudinal alignment

### Panel cut out



Shell size	Plug			
	A	ØB <sup>+0/-0.1</sup>	C Min	ØA
11	12.81	25.58	32.57	2 <sup>0/-0.05</sup>
13	13.94	28.80	36	
15	15.06	31.98	39.60	
17	16.88	35.15	43.30	
19	18	38.28	47	
21	19.12	41.50	50.60	
23	20.24	44.68	54.20	
25	21.38	47.85	57.45	

Shell size	Receptacle			
	A	ØB <sup>+0/-0.1</sup>	C Min	ØA
09	10	17.70	27.80	2 <sup>0/-0.05</sup>
11	11.69	20.86	32.57	
13	12.81	25.58	36	
15	13.94	28.80	39.60	
17	15.06	31.98	43.30	
19	16.88	35.15	47	
21	18	38.28	50.60	
23	19.12	41.50	54.20	
25	20.24	44.68	59.70	

Note: All dimensions are in millimeters (mm)

For further information contact us at [contactmilaero@souriau.com](mailto:contactmilaero@souriau.com)  
or visit our web site [www.souriau.com](http://www.souriau.com)