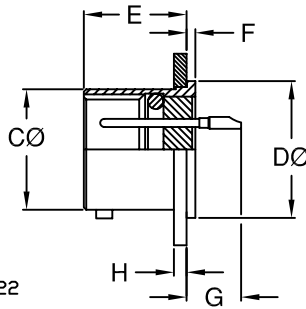
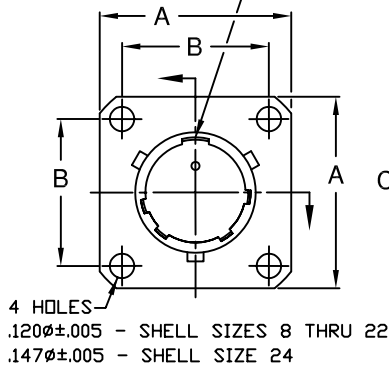


# MINIATURE HERMETIC ELECTRONIC CONNECTORS-DT SERIES

## MIL-DTL-26482 TYPE, COMMERCIAL EQUAL HERMETIC GLASS-TO-METAL SEALED (VACUUM / PRESSURE FEED THRU)

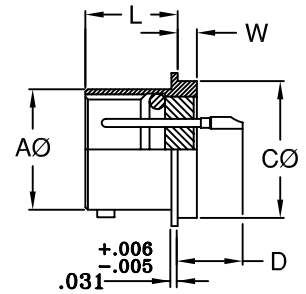
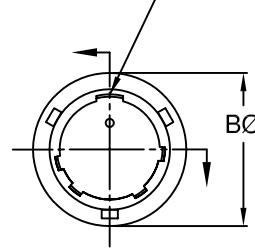
MAIN POLARIZING KEYWAY



PART NO.	A ±.016	B TYP.	CØ +.001 -.005	DØ +.001 -.005	E +.025 -.015	F ±.016	G MAX.	H ±.016
DT02H-8-#PN	.812	.594	.473	.562	.494	.047	.344	.062
DT02H-10-#PN	.938	.719	.590	.672	.494	.047	.344	.062
DT02H-12-#PN	1.031	.812	.750	.781	.494	.047	.344	.062
DT02H-14-#PN	1.125	.906	.875	.906	.494	.047	.344	.062
DT02H-16-#PN	1.219	.969	1.000	1.031	.494	.047	.344	.062
DT02H-18-#PN	1.312	1.062	1.125	1.156	.494	.047	.344	.062
DT02H-20-#PN	1.438	1.156	1.250	1.220	.556	.047	.344	.094
DT02H-22-#PN	1.562	1.250	1.375	1.340	.556	.079	.377	.094
DT02H-24-#PN	1.688	1.375	1.500	1.470	.588	.079	.377	.094

**DT02H - FLANGE MOUNT CONNECTORS  
(MS3112 CLASS H TYPE)**

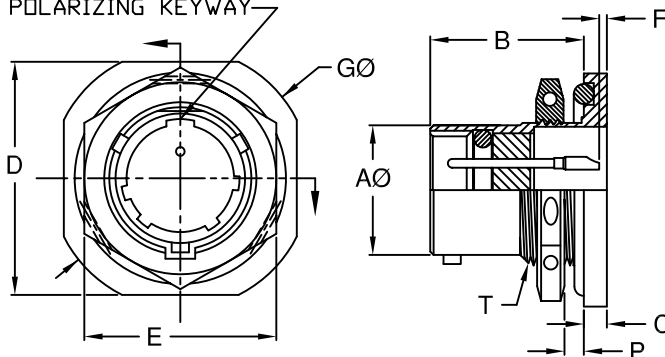
MAIN POLARIZING KEYWAY



PART NO.	AØ +.001 -.005	BØ MAX.	CØ +.001 -.005	D MAX.	L +.025 -.016	W +.011 -.010
DT1H-8-#PN	.473	.636	.562	.386	.447	.094
DT1H-10-#PN	.590	.761	.672	.386	.447	.094
DT1H-12-#PN	.750	.855	.781	.386	.447	.094
DT1H-14-#PN	.875	.980	.906	.386	.447	.094
DT1H-16-#PN	1.000	1.105	1.031	.386	.447	.094
DT1H-18-#PN	1.125	1.229	1.156	.386	.447	.094
DT1H-20-#PN	1.250	1.323	1.250	.386	.509	.094
DT1H-22-#PN	1.375	1.449	1.375	.418	.509	.125
DT1H-24-#PN	1.500	1.574	1.500	.418	.542	.125

**DT1H - SOLDER MOUNT CONNECTORS  
(MS3113 CLASS H TYPE)**

MAIN POLARIZING KEYWAY



PART NO.	AØ +.001 -.005	B +.031 -.000	C ±.020	D MAX.	E HEX ±.017	F PIN ±.030	GØ +.000 -.032	P PANEL THK. MIN. MAX.	T THREAD UNEF-2A †
DT07H-8-#PN	.473	.691	.117	.954	.750	.025	1.078	.062 .125	.5625-24
DT07H-10-#PN	.590	.691	.117	1.078	.875	.025	1.203	.062 .125	.6875-24
DT07H-12-#PN	.750	.691	.117	1.266	1.062	.025	1.391	.062 .125	.875-20
DT07H-14-#PN	.875	.691	.117	1.391	1.188	.025	1.516	.062 .125	1.000-20
DT07H-16-#PN	1.000	.691	.117	1.516	1.312	.025	1.641	.062 .125	1.125-18
DT07H-18-#PN	1.125	.691	.117	1.641	1.438	.025	1.766	.062 .125	1.250-18
DT07H-20-#PN	1.250	.879	.148	1.828	1.562	.190	1.954	.062 .250	1.375-18
DT07H-22-#PN	1.375	.879	.148	1.954	1.688	.190	2.078	.062 .250	1.500-18
DT07H-24-#PN	1.500	.912	.148	2.078	1.812	.220	2.203	.062 .250	1.625-18

**DT07H - JAM NUT MOUNT CONNECTORS (MS3114 CLASS H TYPE)**

\* ADD DESIRED INSERT ARRANGEMENT.

▼ INSERT ARRANGEMENT IS SHOWN IN NORMAL POSITION.

† AFTER PLATING, SUBJECT TO ACCEPTANCE USING A BASIC CLASS 3A GO GAGE.

OTHER PIN PATTERNS AND INSERT POSITIONS MAY BE AVAILABLE - CONSULT FACTORY.

MATERIAL: STANDARD IS CRS SHELL, 52 NICKEL ALLOY PINS AND SILICONE O-RING ONLY.

STANDARD PIN IS SOLDER CUP TYPE. OTHER PIN TYPES ALSO AVAILABLE

(EYELET, STRAIGHT, THERMOCOUPLE) - CONSULT FACTORY.

STANDARD FINISH IS TIN PLATED SHELL AND PINS.

OTHER FINISHES ALSO AVAILABLE (GOLD, NICKEL, OLIVE DRAB, etc.) - CONSULT FACTORY.

SPECIALS CAN BE SUPPLIED TO MEET CUSTOMER SPECIFICATIONS - CONSULT FACTORY.

OUR CONNECTORS MATE WITH ANY PLUG WITH SOCKET CONTACTS WHICH MEET

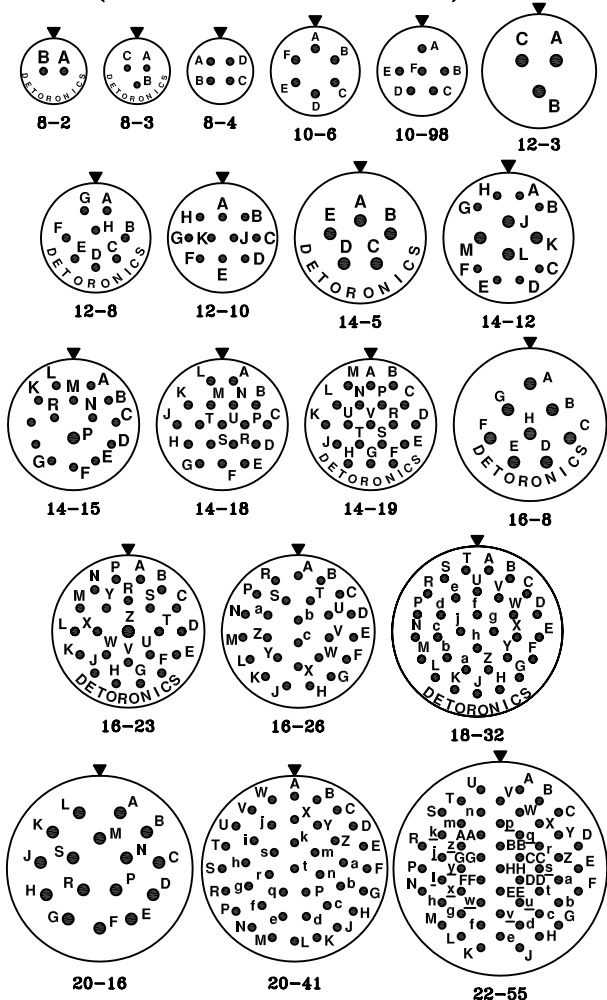
THE DIMENSIONAL REQUIREMENTS OF MIL-DTL-26482 AND MS3116.

**GENERAL SPECIFICATIONS**

AIR LEAKAGE: 1x10<sup>-6</sup> CM<sup>3</sup>/SEC AT 15psi

INSULATION RESISTANCE: 5,000 megohms AT 500VDC

OPERATING TEMPERATURE: -67°F TO +257°F (-55°C TO +125°C)



**ENGAGING FACE PIN INSERTS**

**DETORONICS CORPORATION**  
10660 EAST RUSH STREET, SO. EL MONTE, CA 91733  
TELE: (626) 579-7130 FAX: (626) 579-1936  
[www.detoronics.com](http://www.detoronics.com)